



DEPARTMENT OF REGULATORY AND ECONOMIC RESOURCES (RER)
BOARD AND CODE ADMINISTRATION DIVISION

NOTICE OF ACCEPTANCE (NOA)

MIAMI-DADE COUNTY
PRODUCT CONTROL SECTION
11805 SW 26 Street, Room 208
Miami, Florida 33175-2474
T (786) 315-2590 F (786) 315-2599
www.miamidade.gov/economy

DAB Door Company, Inc.
12195 NW 98th Avenue
Hialeah Gardens, FL 33018

SCOPE:

This NOA is being issued under the applicable rules and regulations governing the use of construction materials. The documentation submitted has been reviewed and accepted by Miami-Dade County RER-Product Control Section to be used in Miami-Dade County and other areas where allowed by the Authority Having Jurisdiction (AHJ).

This NOA shall not be valid after the expiration date stated below. The Miami-Dade County Product Control Section (In Miami-Dade County) and/or the AHJ (in areas other than Miami-Dade County) reserve the right to have this product or material tested for quality assurance purposes. If this product or material fails to perform in the accepted manner, the manufacturer will incur the expense of such testing and the AHJ may immediately revoke, modify, or suspend the use of such product or material within their jurisdiction. RER reserves the right to revoke this acceptance, if it is determined by Miami-Dade County Product Control Section that this product or material fails to meet the requirements of the applicable building code.

This product is approved as described herein and has been designed to comply with the Florida Building Code, including the High Velocity Hurricane Zone.

DESCRIPTION: Storm Master Model 824/811/812 Steel Sectional Garage Door up to 10ft.-4in. Wide w/ Optional Insulation and Window Lites (DP +42.0, -52.0 PSF)

APPROVAL DOCUMENT: Drawing No. 18-04D, titled "24 GA. Roll Formed Steel Sectional Garage Door", sheets 1 through 5 of 5, dated 12/20/2017, with revision C dated 06/16/2023, prepared by Al-Farooq Corporation, signed and sealed by Jalal Farooq, P.E. on 06/22/2023, bearing the Miami-Dade County Product Control revision stamp with the Notice of Acceptance number and expiration date by the Miami-Dade County Product Control Section.

MISSILE IMPACT RATING: Large and Small Missile Impact Resistant

LABELING: A permanent label with the manufacturer's name or logo, manufacturing address, model number, the positive and negative design pressure rating, indicate impact rated if applicable, installation instruction drawing reference number, approval number (NOA), the applicable test standards, and the statement reading 'Miami-Dade County Product Control Approved' is to be located on the door's side track, bottom angle, or inner surface of a panel.

RENEWAL of this NOA shall be considered after a renewal application has been filed and there has been no change in the applicable building code negatively affecting the performance of this product.

TERMINATION of this NOA will occur after the expiration date or if there has been a revision or change in the materials, use, and/or manufacture of the product or process. Misuse of this NOA as an endorsement of any product, for sales, advertising or any other purposes shall automatically terminate this NOA. Failure to comply with any section of this NOA shall be cause for termination and removal of NOA.

ADVERTISEMENT: The NOA number preceded by the words Miami-Dade County, Florida, and followed by the expiration date may be displayed in advertising literature. If any portion of the NOA is displayed, then it shall be done in its entirety.

INSPECTION: A copy of this entire NOA shall be provided to the user by the manufacturer or its distributors and shall be available for inspection at the job site at the request of the Building Official.

This NOA revises NOA #22-1027.04 and consists of this page 1 and evidence pages E-1, E-2, E-3 and E-4, as well as approval document mentioned above.

The submitted documentation was reviewed by **Helmy A. Makar, P.E., M.S.**



Helmy A. Makar
09/14/2023

NOA-No. 23-0710.21
Expiration Date: 03/15/2028
Approval Date: 09/14/2023

NOTICE OF ACCEPTANCE: EVIDENCE SUBMITTED

1. EVIDENCE SUBMITTED IN PREVIOUS NOA # 17-1206.14

A. DRAWINGS

1. Drawing No. **18-04D**, titled “24 GA. Roll Formed Steel Sectional Garage Door”, sheets 1 through 5 of 5, dated 12/20/2017, with revision **A** dated 02/08/2018, prepared by Al-Farooq Corporation, signed and sealed by Javad Ahmad, P.E.

B. TESTS

1. Test reports on 1) Uniform Static Air Pressure Test, Loading per FBC TAS 202-94
2) Forced Entry Test per FBC TAS 202-94
along with marked-up drawings and installation diagram of a DAB 824 24 GA Sectional Garage Door with Fixed Windows, prepared by Hurricane Engineering & Testing, Inc, Test Reports No. **HETI-17-5020**, dated 11/03/2017, revised on 02/09/2018, signed and sealed by Rafael E. Droz-Seda, P.E.
2. Test reports on 1) Large Missile Impact Test per FBC, TAS 201-94
2) Cyclic Wind Pressure Loading per FBC, TAS 203-94
along with marked-up drawings and installation diagram of a DAB 824 24 GA Sectional Garage Door with Fixed Windows, prepared by Hurricane Engineering & Testing, Inc, Test Reports No. **HETI-17-5021**, dated 11/03/2017, revised on 02/09/2018, signed and sealed by Rafael E. Droz-Seda, P.E.
3. Test report on Tensile Test per ASTM E 8 of 24 ga. (0.024”) steel samples, prepared by Hurricane Engineering & Testing, Inc., Report No. **HETI 11-T100**, dated 01/21/2011, signed and sealed by Candido F. Font, P.E.
4. Test report on Salt Spray (Corrosion) Test per ASTM B 117 of a painted G-40 steel panels, prepared by Celotex Corporation, Test Report No. **258592**, dated 08/17/1998, signed by W. A. Jackson, P.E.

C. CALCULATIONS

1. Anchor verification calculations prepared by Al-Farooq Corporation, dated 12/19/2017, signed and sealed by Javad Ahmad, P.E.

D. QUALITY ASSURANCE

1. Miami-Dade Department of Regulatory and Economic Resources (RER).



Helmy A. Makar, P.E., M.S.
Product Control Section Supervisor
NOA-No. 23-0710.21
Expiration Date: 03/15/2028
Approval Date: 09/14/2023

NOTICE OF ACCEPTANCE: EVIDENCE SUBMITTED

E. MATERIAL CERTIFICATIONS

1. Notice of Acceptance No. **15-0915.08**, issued to SABIC Innovative Plastics, for their Lexan Polycarbonate Sheet Products, approved on 12/10/2015 and expiring on 07/17/2018.
2. Notice of Acceptance No. **17-0221.06**, issued to Insulfoam, LLC, for their Insulfoam Expanded Polystyrene Insulation, expiring on 11/29/2022.
3. Notice of Acceptance No. **16-1108.04**, issued to Dyplast Products, LLC, for their Dyplast ISO-C1 Polyisocyanurate Insulation, expiring on 01/11/2022.
4. Notice of Acceptance No. **15-1203.04**, issued to Cellofoam North America Inc, for their Expanded Polystyrene Block Insulation, approved on 03/17/2016 and expiring on 02/24/2021.
5. Notice of Acceptance No. **15-0410.11**, issued to REHAU Construction, LLC, for its White Rigid PVC Extrusions for Windows and Doors, approved on 09/24/2015 and expiring on 09/24/2020.

F. STATEMENTS

1. Statement letter of code conformance to the 5th edition (2014) and 6th edition (2017) FBC and of no financial interest issued by Al-Farooq Corporation, dated 12/19/2017, signed and sealed by Javad Ahmad, P.E.



Helmy A. Makar, P.E., M.S.
Product Control Section Supervisor
NOA-No. 23-0710.21
Expiration Date: 03/15/2028
Approval Date: 09/14/2023

NOTICE OF ACCEPTANCE: EVIDENCE SUBMITTED

2. EVIDENCE SUBMITTED UNDER NOA # 20-0901.20 AND NEW

A. DRAWINGS

1. Drawing No. **18-04D**, titled "24 GA. Roll Formed Steel Sectional Garage Door", sheets 1 through 5 of 5, dated 12/20/2017, with revision **B** dated 07/20/2020, prepared by Al-Farooq Corporation, signed and sealed by Jalal Farooq, P.E. on 11/16/2020.

B. TESTS

1. None.

C. CALCULATIONS

1. None.

D. QUALITY ASSURANCE

1. Miami Dade Department of Regulatory and Economic Resources (RER).

E. MATERIAL CERTIFICATIONS

1. Notice of Acceptance No. **22-0628.11**, issued to Insulfoam, a div. of Carlisle Const. Mat., LLC, for their **Insulfoam Expanded Polystyrene Preformed Block Type I Insulation**, approved on 08/11/2022 and expires on 11/29/2023.
2. Notice of Acceptance No. **22-0627.03**, issued to Kingspan Insulation, LLC, for their **Dyplast ISO-C1 Polyisocyanurate Rigid Foam Insulation**, approved on 07/21/2022 and expires on 01/11/2027.
3. Notice of Acceptance No. **21-0222.05**, issued to Cellofoam North America, Inc., for their **Expanded Polystyrene Block Insulation**, approved on 09/02/2021 and expires on 02/24/2026.
4. Notice of Acceptance No. **22-0317.02**, issued to Plaskolite, LLC, for their **TUFFAK Polycarbonate Sheets**, approved on 04/21/2022 and expires on 8/27/2027.

F. STATEMENTS

1. Statement letter of code conformance to the 7th edition (2020) of the FBC and of no financial interest, prepared by Al Farooq Corporation, dated 10/17/2022, signed and sealed by Jalal Farooq, P.E.



Helmy A. Makar, P.E., M.S.
Product Control Section Supervisor
NOA-No. 23-0710.21
Expiration Date: 03/15/2028
Approval Date: 09/14/2023

NOTICE OF ACCEPTANCE: EVIDENCE SUBMITTED

3. NEW EVIDENCE SUBMITTED

A. DRAWINGS

1. Drawing No. **18-04D**, titled "24 GA. Roll Formed Steel Sectional Garage Door", sheets 1 through 5 of 5, dated 12/20/2017, with revision **C** dated 06/16/2023, prepared by Al-Farooq Corporation, signed and sealed by Jalal Farooq, P.E. on 06/22/2023.

B. TESTS

1. None.

C. CALCULATIONS

1. None.

D. QUALITY ASSURANCE

1. Miami Dade Department of Regulatory and Economic Resources (RER).

E. MATERIAL CERTIFICATIONS

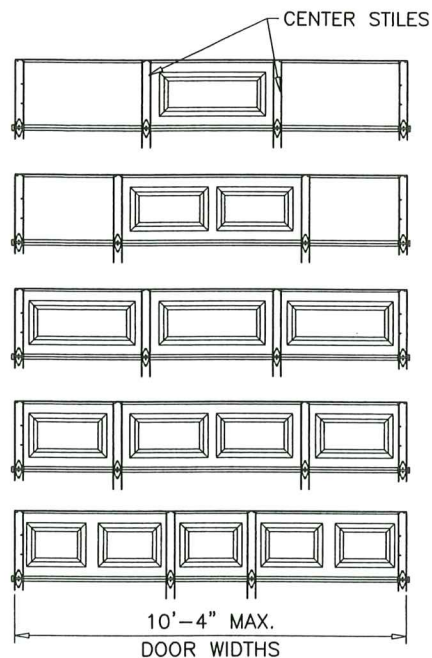
1. Notice of Acceptance No. **22-0628.11**, issued to Insulfoam, a div. of Carlisle Const. Mat., LLC, for their **Insulfoam Expanded Polystyrene Preformed Block Type I Insulation**, approved on 08/11/2022 and expires on 11/29/2023.
2. Notice of Acceptance No. **22-0627.03**, issued to Kingspan Insulation, LLC, for their **Dyplast ISO-C1 Polyisocyanurate Rigid Foam Insulation**, approved on 07/21/2022 and expires on 01/11/2027.
3. Notice of Acceptance No. **21-0222.05**, issued to Cellofoam North America, Inc., for their **Expanded Polystyrene Block Insulation**, approved on 09/02/2021 and expires on 02/24/2026.
4. Notice of Acceptance No. **22-0317.02**, issued to Plaskolite, LLC, for their **TUFFAK Polycarbonate Sheets**, approved on 04/21/2022 and expires on 8/27/2027.

F. STATEMENTS

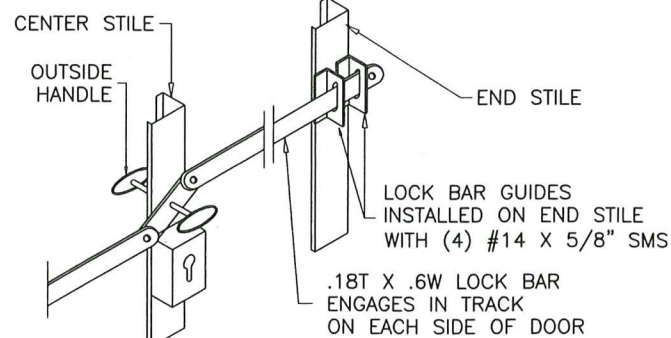
1. Statement letter of code conformance to the 7th edition (2020) and the 8th edition (2023) of the FBC and of no financial interest, prepared by Al Farooq Corporation, dated 06/20/2023, signed and sealed by Jalal Farooq, P.E.



Helmy A. Makar, P.E., M.S.
Product Control Section Supervisor
NOA-No. 23-0710.21
Expiration Date: 03/15/2028
Approval Date: 09/14/2023



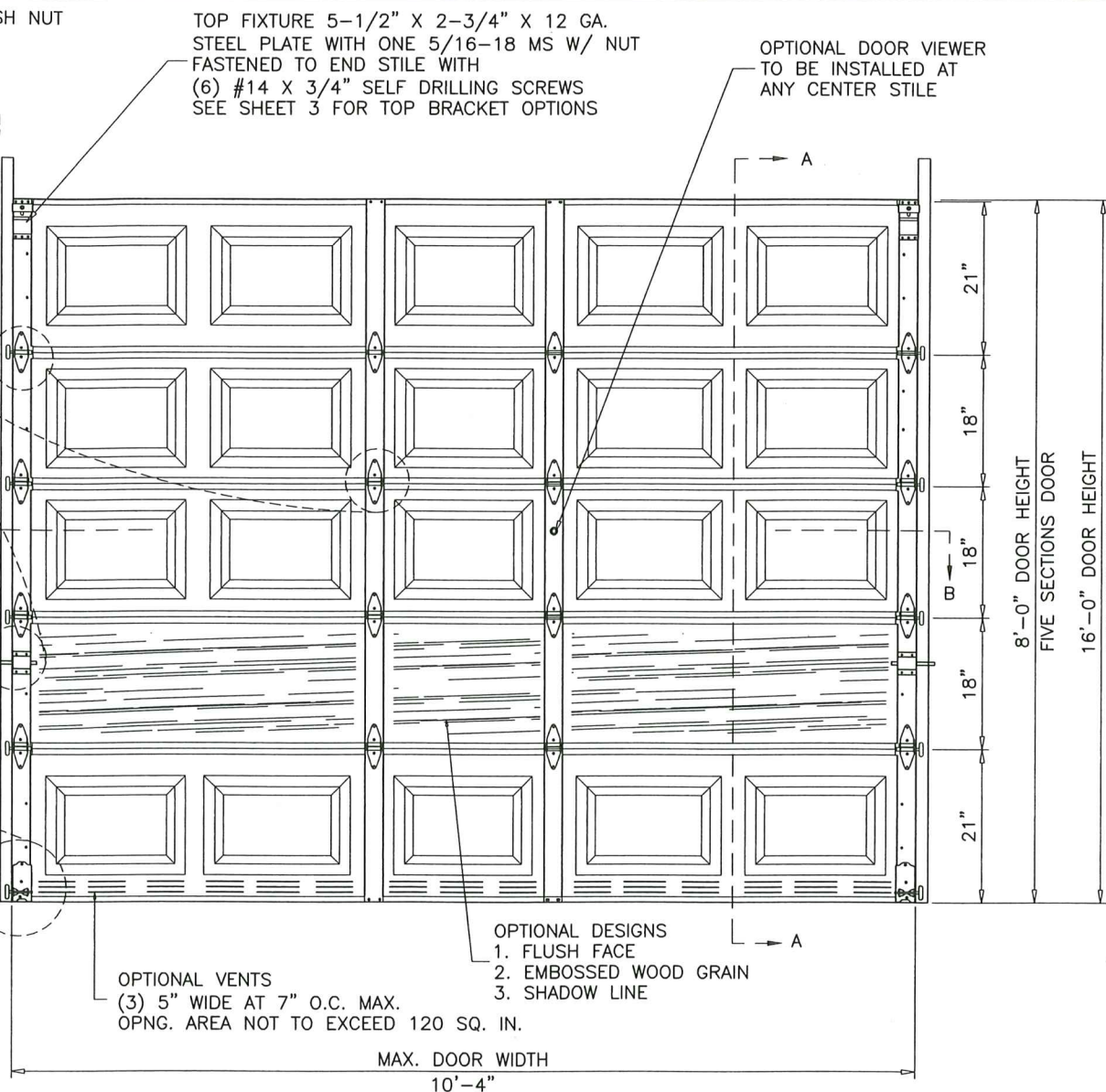
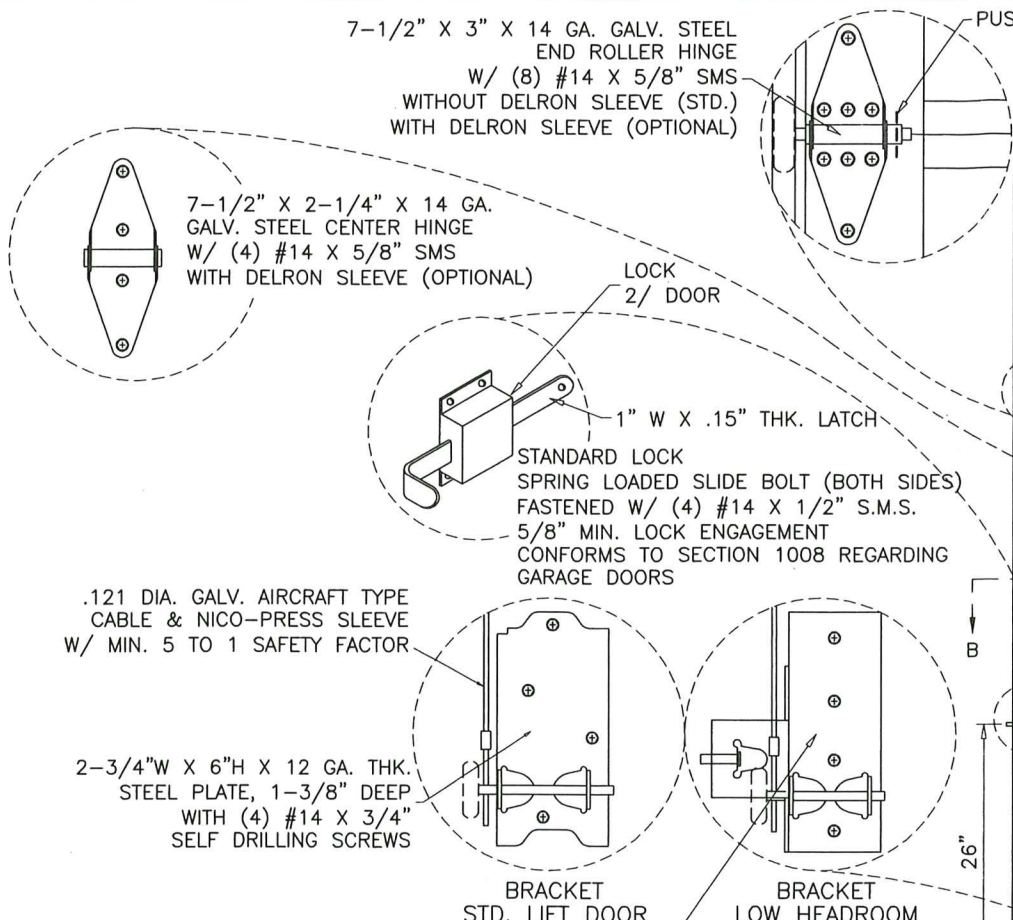
DOOR HEIGHT	CONSISTS OF	
6'-6"	2 SECTIONS 18"	2 SECTIONS 21"
6'-9"	1 SECTION 18"	3 SECTIONS 21"
7'	4 SECTIONS 21"	-
7'-3"	-	-
7'-6"	5 SECTIONS 18"	-
7'-9"	4 SECTIONS 18"	1 SECTION 21"
8'	3 SECTIONS 18"	2 SECTIONS 21"
8'-3"	2 SECTIONS 18"	3 SECTIONS 21"
8'-6"	1 SECTION 18"	4 SECTIONS 21"
8'-9"	5 SECTIONS 21"	-
9'	6 SECTIONS 18"	-
9'-3"	5 SECTIONS 18"	1 SECTION 21"
9'-6"	4 SECTIONS 18"	2 SECTIONS 21"
9'-9"	3 SECTIONS 18"	3 SECTIONS 21"
10'	2 SECTIONS 18"	4 SECTIONS 21"
10'-3"	1 SECTION 18"	5 SECTIONS 21"
10'-6"	6 SECTIONS 21"	-
10'-9"	6 SECTIONS 18"	1 SECTION 21"
11'	5 SECTIONS 18"	2 SECTIONS 21"
11'-3"	4 SECTIONS 18"	3 SECTIONS 21"
11'-6"	3 SECTIONS 18"	4 SECTIONS 21"
11'-9"	2 SECTIONS 18"	5 SECTIONS 21"
12'	1 SECTIONS 18"	6 SECTIONS 21"
12'-3"	7 SECTIONS 21"	-
12'-6"	6 SECTIONS 18"	2 SECTIONS 21"
12'-9"	5 SECTIONS 18"	3 SECTIONS 21"
13'	4 SECTIONS 18"	4 SECTIONS 21"
13'-3"	3 SECTIONS 18"	5 SECTIONS 21"
13'-6"	2 SECTIONS 18"	6 SECTIONS 21"
13'-9"	1 SECTION 18"	7 SECTIONS 21"
14'	8 SECTIONS 21"	-
14'-3"	6 SECTIONS 18"	3 SECTIONS 21"
14'-6"	5 SECTIONS 18"	4 SECTIONS 21"
14'-9"	4 SECTIONS 18"	5 SECTIONS 21"
15'	3 SECTIONS 18"	6 SECTIONS 21"
15'-3"	2 SECTIONS 18"	7 SECTIONS 21"
15'-6"	1 SECTION 18"	8 SECTIONS 21"
15'-9"	9 SECTIONS 21"	-
16'	6 SECTIONS 18"	4 SECTIONS 21"



**OUTSIDE KEYPED LOCK
OPTIONAL**

LOCK BAR LOCKING SHOWN
ALTERNATE TO
SPRING LOADED SLIDE BOLT
LOCKS SHOWN ABOVE

PRODUCT REVISED
as complying with the Florida
Building Code
Acceptance No **23-0710.21**
Expiration Date **03/15/2028**
By *Heidi A. Miller*
Miami Dade Product Control



**INSIDE ELEVATION
RAISED PANEL EMBOSSED DOOR**

DAB DOORS INC.
Storm Master® Model 824/811/812
Max. Size 10'-4" X 16'-0" High
With Window Lite Option

DESIGN PRESSURE RATING = + 42.0 PSF
- 52.0 PSF

THIS PRODUCT IS RATED FOR LARGE MISSILE IMPACT

DOOR TESTED IN ACCORDANCE WITH THE REQUIREMENTS OF FLORIDA
BUILDING CODE, TAS-202, TAS-201 & TAS-203 FOR HVHZ AND
ASTM E330-14, E1886-13A & ASTM E1996-14.

GENERAL NOTES

1. THIS PRODUCT HAS BEEN DESIGNED AND TESTED TO COMPLY WITH THE REQUIREMENTS OF THE 2020 (7TH EDITION)/2023 (8TH EDITION) FLORIDA BUILDING CODE INCLUDING HIGH VELOCITY HURRICANE ZONE (HVHZ).
2. ANCHORS SHALL BE CORROSION RESISTANT, SPACED AS SHOWN ON DETAILS AND INSTALLED PER MANUF'S INSTRUCTIONS. SPECIFIED EMBEDMENT TO BASE MATERIAL SHALL BE BEYOND WALL DRESSING OR STUCCO.
3. A LOAD DURATION INCREASE IS USED IN DESIGN OF ANCHORS INTO WOOD ONLY.
4. MATERIALS INCLUDING BUT NOT LIMITED TO STEEL/METAL SCREWS, THAT COME INTO CONTACT WITH OTHER DISSIMILAR MATERIALS SHALL MEET THE REQUIREMENTS OF THE 2020/2023 FLORIDA BLDG. CODE & ADOPTED STANDARDS.
5. THIS PRODUCT APPROVAL IS GENERIC AND DOES NOT PROVIDE INFORMATION FOR A SITE SPECIFIC PROJECT, i.e. LIFE SAFETY OF THIS PRODUCT, ADEQUACY OF STRUCTURE RECEIVING THIS PRODUCT AND SEALING AROUND OPENING FOR WATER INFILTRATION RESISTANCE ETC. CONDITIONS NOT SHOWN IN THIS DRAWING ARE TO BE ANALYZED SEPARATELY, AND TO BE REVIEWED BY BUILDING OFFICIAL.
6. MANUFACTURER'S LABEL SHALL BE LOCATED ON A READILY VISIBLE LOCATION IN ACCORDANCE WITH SECTION 1709.9.3 OF FLORIDA BUILDING CODE. LABELING TO COMPLY WITH SECTION 1709.9.2.

JUN 22 2023



AL-FAROOQ CORPORATION
ENGINEERS & PRODUCT DEVELOPMENT
9360 SUNSET DRIVE, SUITE 220
MIAMI, FLORIDA 33173
TEL: (305) 264-8100 FAX: (305) 262-6978

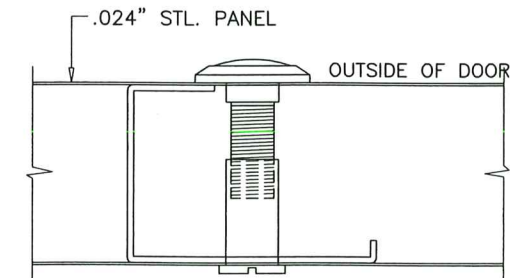
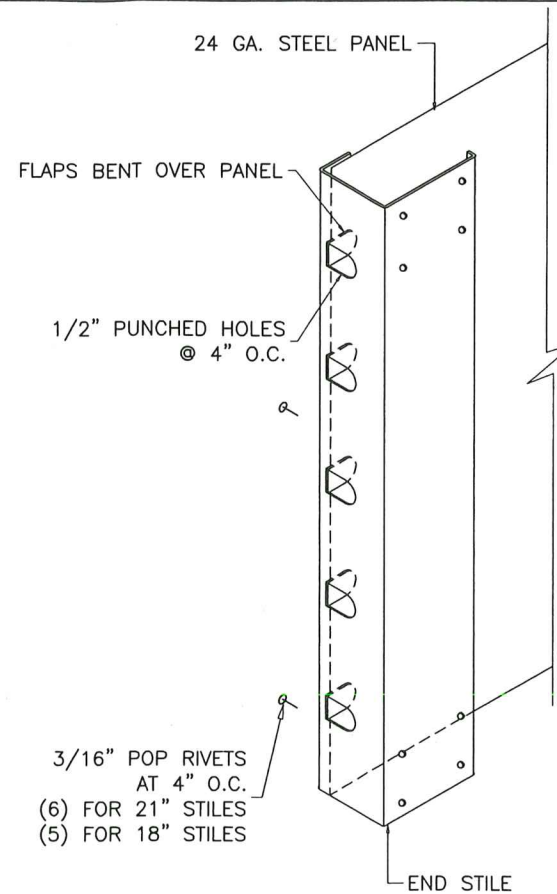
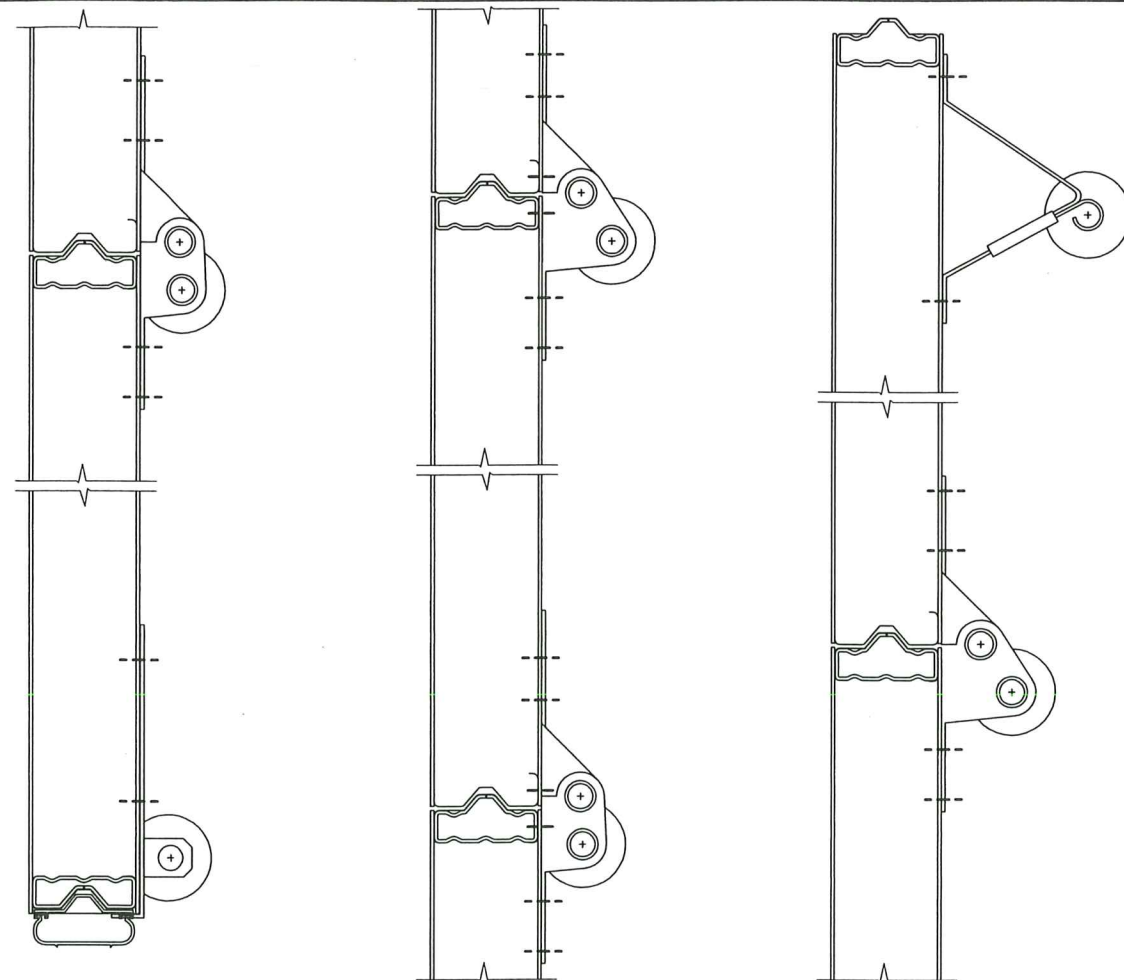
24 GA. ROLL FORMED STEEL SECTIONAL GARAGE DR.
DAB Door Company, Inc.
12193 N.W. 98th Ave.
Hialeah Gardens, Fl. 33018
Tel: (800) 257-2016 Fax: (305) 362-9272

revisions:	no	date	description
	A	02.08.18	REV. PER RER COMMENTS
	B	07.20.20	UPDATED TO 2020 FBC
	C	06.16.23	UPDATED TO 2023 FBC

date: 12-20-17
scale: 1/2"=1'-0"
dr. by: TARIQ
chk. by:

drawing no.
18-04D

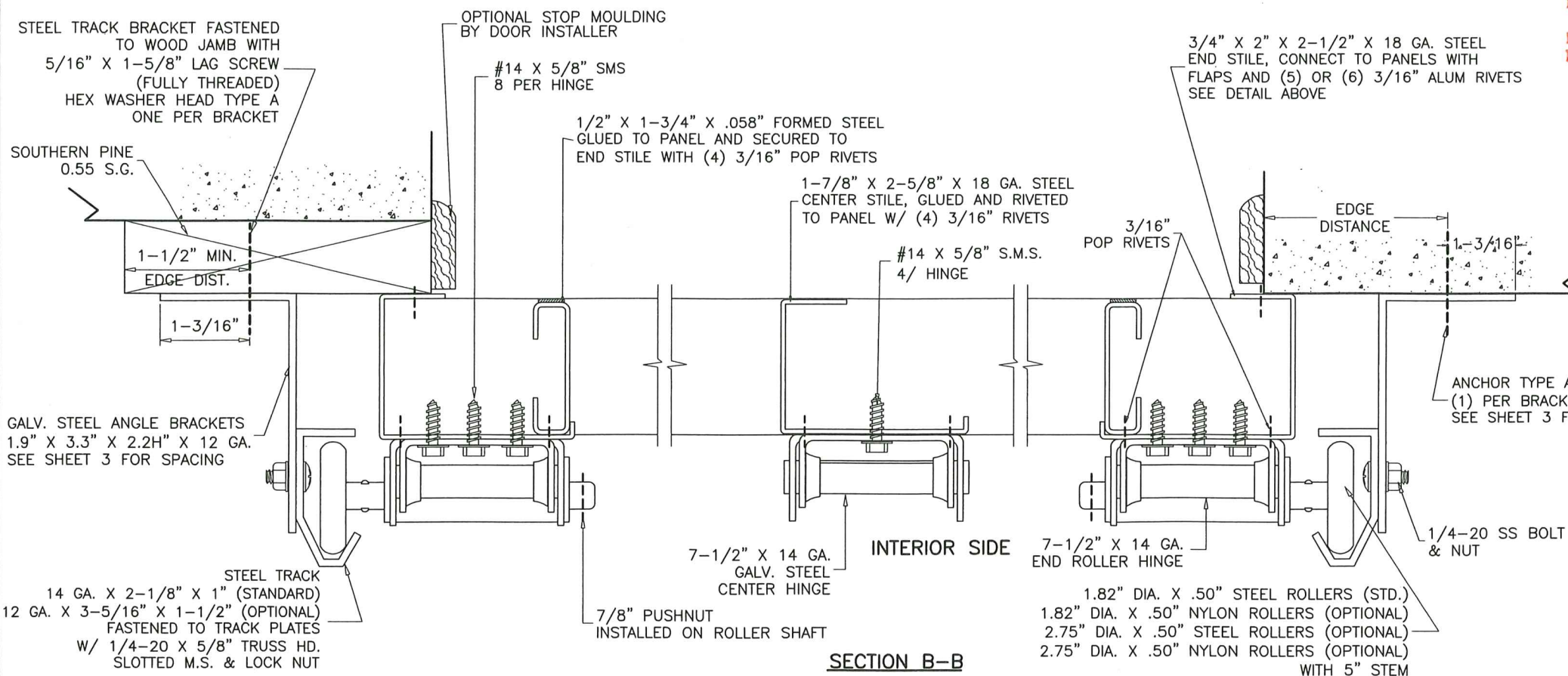
sheet 1 of 5



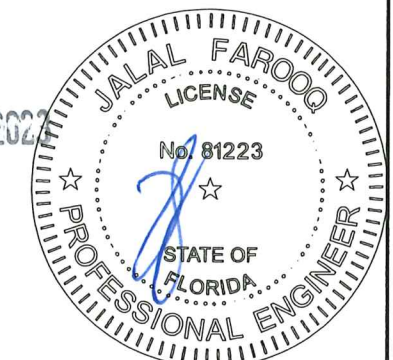
SOLID BRASS DOOR VIEWER
 BY 'SCHLAGE SECURITY HARDWARE'
 INSTALLED IN 9/16" DIA. HOLES IN CENTER STILE
 POSITIONED AT EYE LEVEL

PRODUCT REVISED
 as complying with the Florida
 Building Code
 Acceptance No. **23-0710-21**
 Expiration Date **15 MAR 2028**
 By *H. G. D. Miller*
 Miami Door Product Control

- 3/8" DIA. POWER-BOLT BY 'DEWALT'**
 A) 2" MIN. EMBED INTO CONCRETE (3000 PSI MIN.)
 2" MIN. EDGE DISTANCE
- 3/8" DIA. HLC SLEEVE BY 'HILTI'**
 B) 1-1/4" MIN. EMBED INTO CONCRETE OR FILLED BLOCK
 2-1/4" MIN. EDGE DISTANCE INTO CONCRETE
 4" MIN. EDGE DISTANCE INTO FILLED BLOCK
- CONCRETE f'c = 3000 PSI MIN.
 C-90 GROUT-FILLED BLOCK f'm = 2000 PSI MIN.



JUN 22 2022

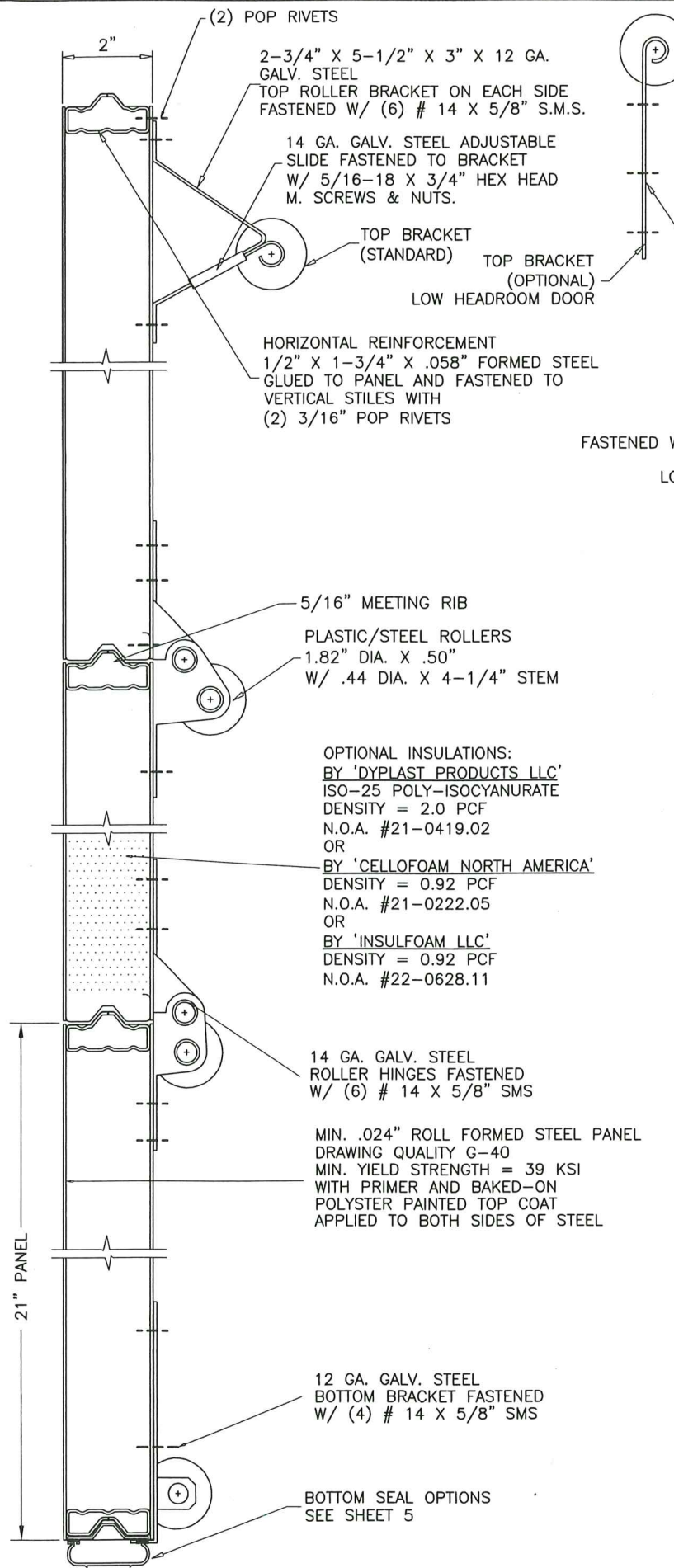


af c
AL-FAROOQ CORPORATION
 ENGINEERS & PRODUCT DEVELOPMENT
 9360 SUNSET DRIVE, SUITE 220
 MIAMI, FLORIDA 33173 (C.A.N. 3538)
 TEL. (305) 264-8100 FAX. (305) 262-6978
 GARAGE\18-04D-DAB

24 GA. ROLL FORMED STEEL SECTIONAL GARAGE DR.
DAB Door Company, Inc.
 12193 N.W. 98th Ave.
 Hialeah Gardens, FL 33018
 Tel: (800) 257-2016 Fax: (305) 362-9272

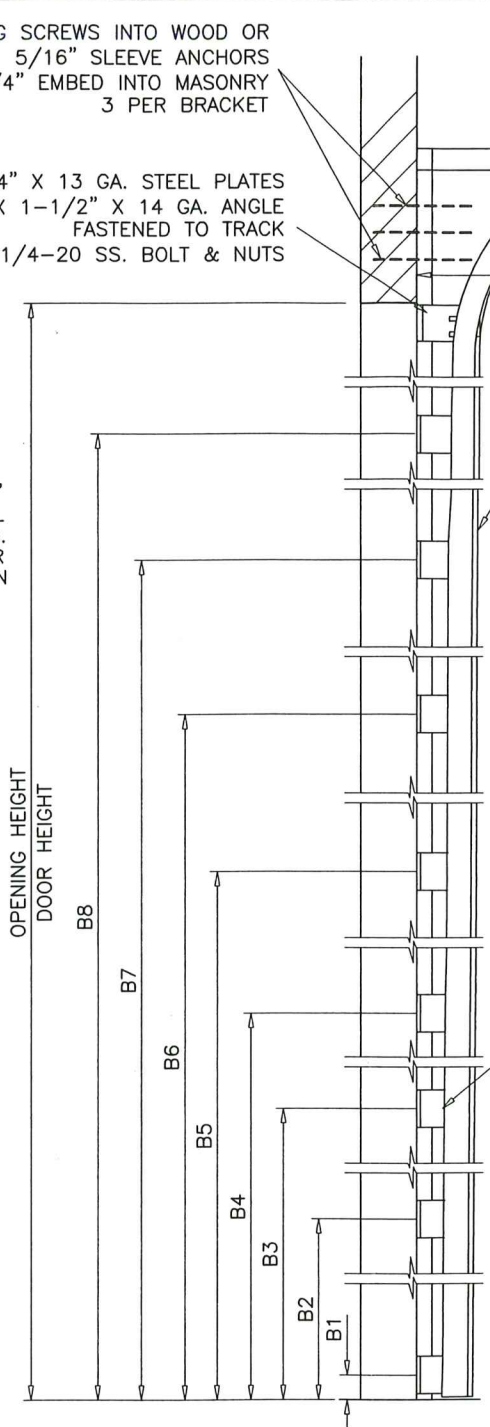
no	date	description	by
A	02.08.18	REV. PER COMMENTS	
B	07.20.20	UPDATED TO 2020 FBC	
C	06.16.23	UPDATED TO 2023 FBC	

date: 12-20-17
 scale: -
 dr. by: TARIQ
 chk. by:
 drawing no. **18-04D**
 sheet 2 of 5



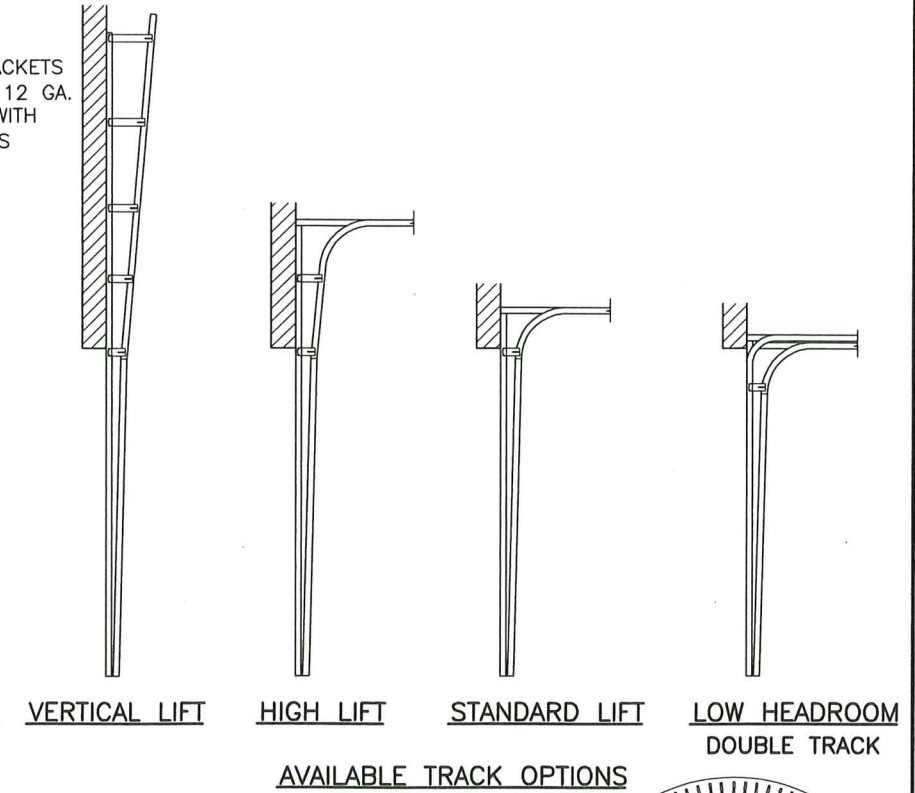
5/16" X 1-5/8" LAG SCREWS INTO WOOD OR 5/16" SLEEVE ANCHORS WITH 1-1/4" EMBED INTO MASONRY 3 PER BRACKET

2-1/2" X 4-1/4" X 13 GA. STEEL PLATES WELDED TO 1-1/2" X 1-1/2" X 14 GA. ANGLE FASTENED TO TRACK WITH (4) 1/4-20 SS. BOLT & NUTS



DOOR HEIGHT	* SECTION HEIGHTS					BRACKET PLACEMENTS							
	1ST	2ND	3RD	4TH	5TH	B1	B2	B3	B4	B5	B6	B7	B8
6'-0"	18"	18"	18"	18"	N/A	1" TO 2"	11-3/4"	23"	34"	45"	56"	67"	-
6'-6"	21"	18"	18"	21"	N/A	1" TO 2"	11-3/4"	23"	34"	45"	56"	67"	-
7'-0"	21"	21"	21"	21"	N/A	1" TO 2"	11-3/4"	23"	34"	45"	56"	67"	-
7'-6"	18"	18"	18"	18"	18"	1" TO 2"	11-3/4"	23"	34"	45"	56"	67"	78-1/4"
8'-0"	21"	18"	18"	18"	21"	1" TO 2"	11-3/4"	23"	34"	45"	56"	67"	78-1/4"

*-SECTIONS ARE NUMBERED STARTING AT THE BOTTOM FOR DOORS MORE THAN 8 FT. HIGH, USE ADDITIONAL TRACK BRACKETS AT 10" O.C.

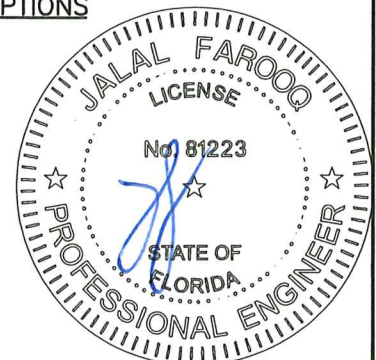


1-1/2" X 1-1/2" X 1/8" HORIZ. ANGLE FOR DOOR HEIGHTS UP TO 8 FT. WITHOUT INSULATION OR WINDOWS, 2" X 2" X 1/8" HORIZ. ANGLE FOR DOOR HEIGHTS ABOVE 8 FT. OR DOORS WITH INSULATION OR WINDOWS SPOT WELDED TO HORIZ. TRACK WITH TWO WELDS AT 1-1/2" APART FIRST AT 2" O.C., REST AT 7-1/4" O.C. CONNECTED TO FLAG BRACKET ANGLE W/ 3/8-16 X 3/4" BOLT & NUT AND TO SPRING SHAFT GUIDE WITH (2) 1/4-20 X 5/8" BOLT & NUT

HORIZONTAL TRACK 2-1/8" X 1" X 14 GA.

SECTION A-A

PRODUCT REVISED as complying with the Florida Building Code 23-0710-21 JUN 22 2023
Acceptance No. Expiration Date 15 MAR 2028
By *Hege A. M...* Miami Dade Product Control



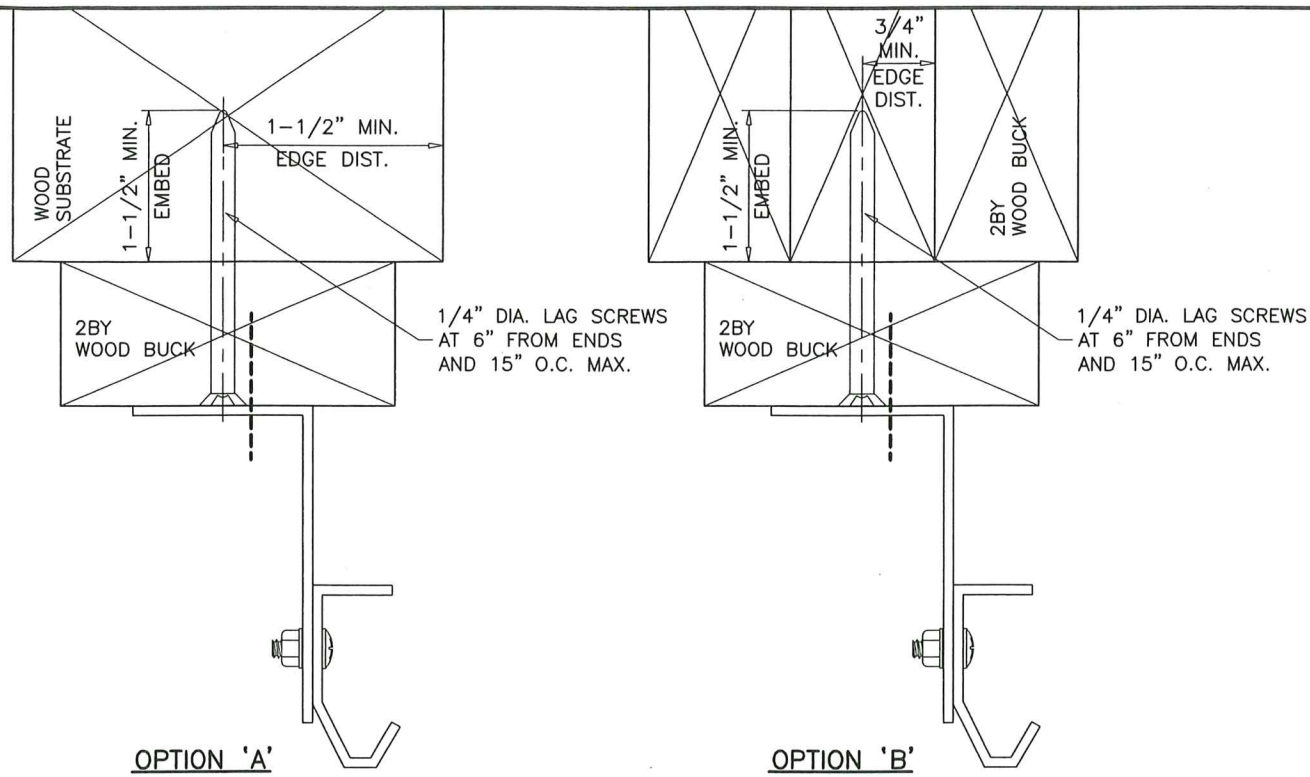
AL-FAROOQ CORPORATION
ENGINEERS & PRODUCT DEVELOPMENT
9360 SUNSET DRIVE, SUITE 220
MIAMI, FLORIDA 33173
TEL: (305) 264-8100 FAX: (305) 262-6978
GARAGE\18-04D-DAB

24 GA. ROLL FORMED STEEL SECTIONAL GARAGE DR.
DAB Door Company, Inc.
12193 N.W. 98th Ave.
Hialeah Gardens, Fl. 33018
Tel: (800) 257-2016 Fax: (305) 362-9272

revisions:	no.	date	by	description
	A	02.08.18		REV. PER RER COMMENTS
	B	07.20.20		UPDATED TO 2020 FBC
	C	06.16.23		UPDATED TO 2023 FBC

date: 12-20-17 scale: - dr. by: TARIQ chk. by:

drawing no. 18-04D sheet 3 of 5

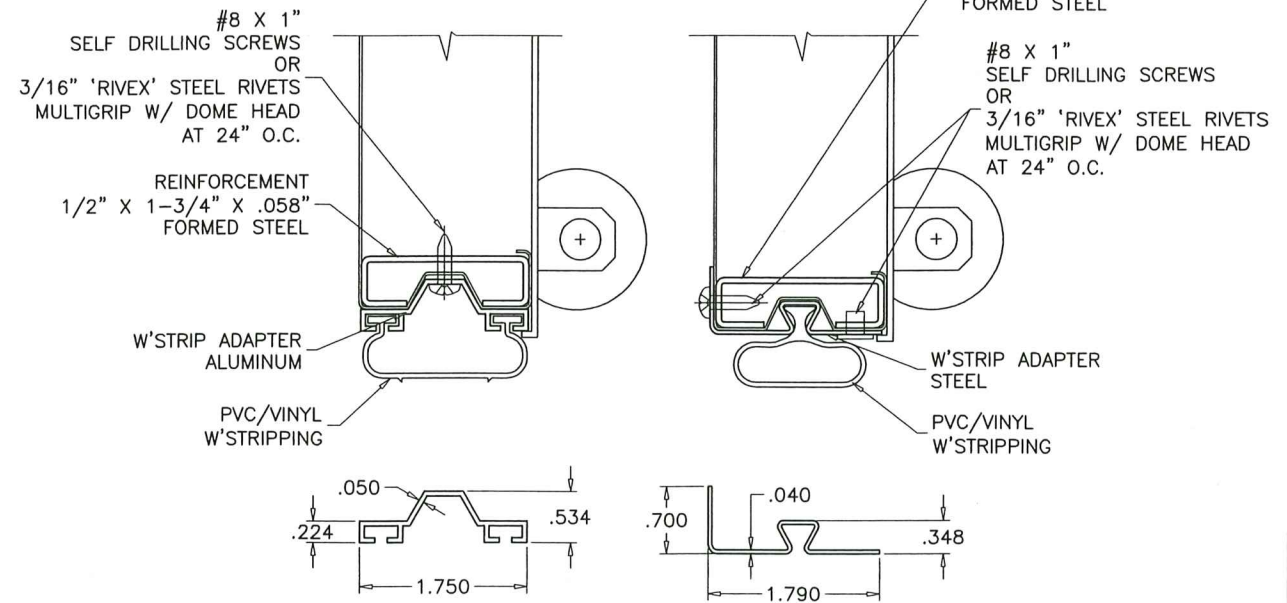


OPTION 'A'

OPTION 'B'

WOOD BUCK CONNECTION TO WOOD SUBSTRATE (WOOD SPECIFIC GRAVITY SG=0.55 MIN.)

THE INSTALLATION METHODS SHOWN ABOVE SHOWS 2X6 SYP WOOD BUCK ATTACHMENT TO WOOD STRUCTURES. IF THESE METHODS ARE FOLLOWED NO ADDITIONAL CALCULATIONS/DESIGN WILL BE REQUIRED FOR DESIGN OF GARAGE DOOR ANCHORAGE. FOR DOOR REPLACEMENT APPLICATIONS WITH NO ENGINEER OF RECORD, INSTALLATION MAY BE VERIFIED AND APPROVED BY THE BUILDING OFFICIAL UPON INSPECTION.



BOTTOM SEAL OPTIONS

ANCHOR SPACING				
ANCHORS	STRUCTURE	EMBED	SPACING	EDGE DIST.
3/8" HLC SLEEVE BY 'HILTI'	CONC. BLOCK	1-1/4"	11"	2" 4"
3/8" CONFLEX BY 'ELCO'	FILLED BLOCK	2"	11"	3-3/4"
3/8" DYNABOLT BY 'ITW'	CONC.	1-1/2"	11"	2-1/2"
3/8" POWER-BOLT BY 'DEWALT'	CONC.	2"	11"	2"
3/8" SLEEVE-ALL BY 'SIMPSONS'	CONC.	1-1/2"	11"	3"

CONCRETE $f'_c = 3000$ PSI MIN.
C-90 GROUT-FILLED BLOCK $f'_m = 2000$ PSI MIN.

WOOD BUCK CONNECTION TO CONCRETE/BLOCKS

PRESSURE TREATED 2X6 SYP WOOD JAMBS WHICH SHALL BE ANCHORED TO GROUTED REINFORCED MASONRY BLOCK WALL OR CONC. COLUMN WITH

1/4" ULTRACON+ BY 'DEWALT' WITH SPACING OF 11" O.C. INTO GROUT-FILLED BLOCK WALL, WITH 2-1/4" MIN. EMBED 11" O.C. INTO 3000 PSI CONCRETE, WITH 1-3/4" MIN. EMBED 2-1/2" MIN. EDGE DISTANCE

1/4" TAPPER BY 'DEWALT' WITH SPACING OF 10" O.C. INTO GROUT-FILLED BLOCK WALL, WITH 1-1/2" MIN. EMBED 11" O.C. INTO 3000 PSI CONCRETE, WITH 1-3/4" MIN. EMBED 3" MIN. EDGE DISTANCE

3/8" CONFLEX BY 'ELCO' OR 3/8" LDT BY 'ITW' WITH SPACING OF 24" O.C. INTO 3000 PSI CONCRETE, WITH 2-1/2" MIN. EMBED 3" MIN. EDGE DISTANCE

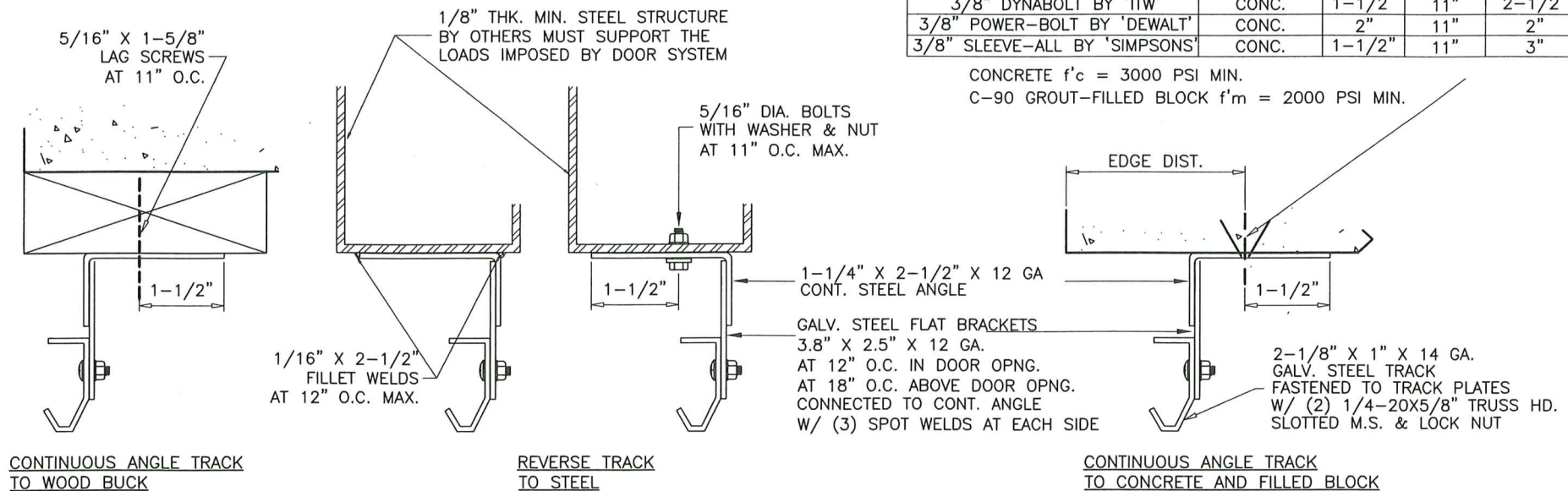
3/8" HLC SLEEVE BY 'HILTI' WITH SPACING OF 10" O.C. INTO GROUT-FILLED BLOCK WALL, WITH 1-1/4" MIN. EMBED, 4" MIN. EDGE DIST. 13" O.C. INTO 3000 PSI CONCRETE, WITH 1-1/4" MIN. EMBED AND 2-1/2" MIN. EDGE DISTANCE

PREPARATION OF JAMBS BY OTHERS

FOR NEW CONSTRUCTION ENGINEER OF RECORD OR ARCHITECT TO VERIFY ADEQUACY OF SUPPORTING STRUCTURE TO SUPPORT LOADS IMPOSED BY DOOR SYSTEM.

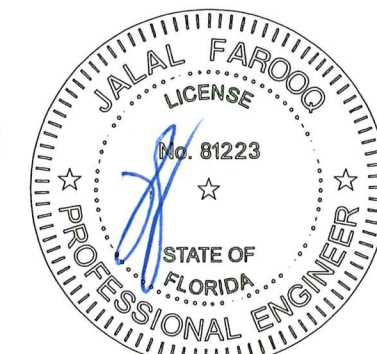
FOR DOOR REPLACEMENT IN RETROFIT BUILDINGS WITH NO ENGINEER OF RECORD, DOOR INSTALLATION MAY BE REVIEWED AND APPROVED BY BUILDING OFFICIAL UPON INSPECTION.

MAXIMUM EXTERIOR(+) LOAD PER JAMB = $(10.3' \times 42 \text{ PSF})/2 = 216.9$ Lbs per Ft.
MAXIMUM INTERIOR(-) LOAD PER JAMB = $(10.3' \times 52 \text{ PSF})/2 = 268.6$ Lbs per Ft.



ALTERNATE TRACK INSTALLATION

PRODUCT REVISED as complying with the Florida Building Code
Acceptance No. 23-0710-21
Expiration Date 15 MAR 2028
By: *Helga A. Nelson*
Miami Dade Product Control

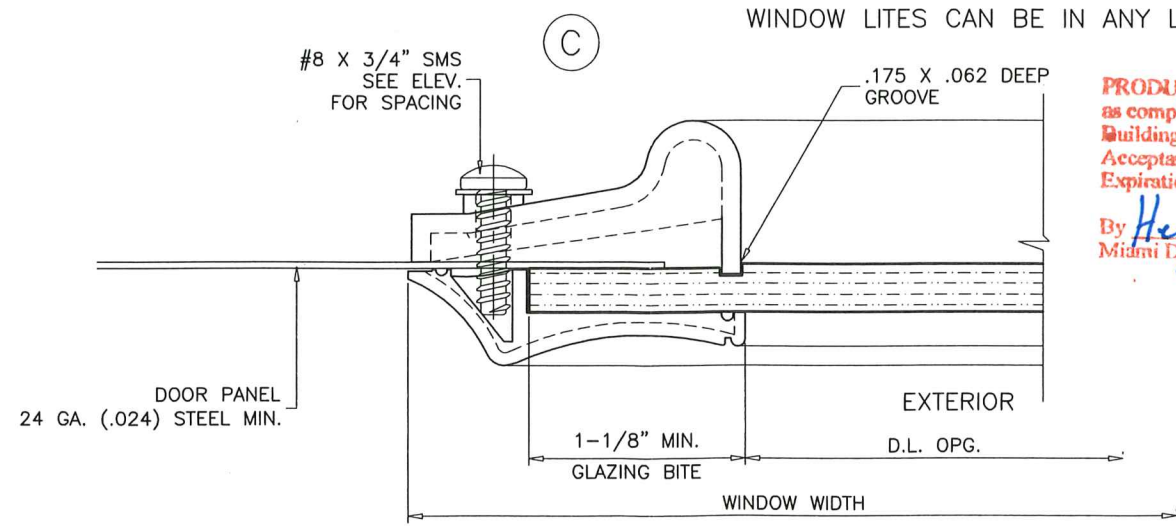
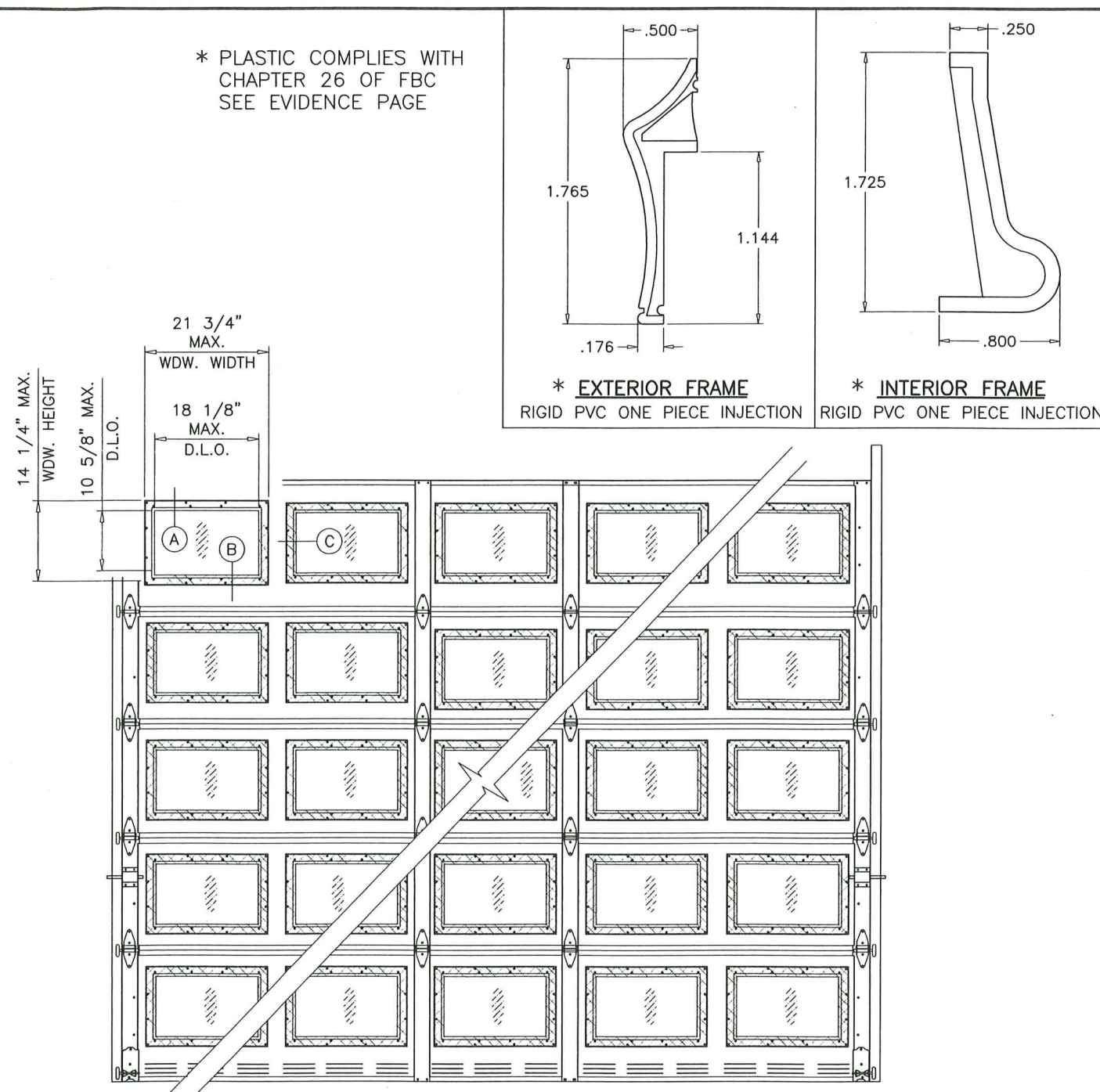
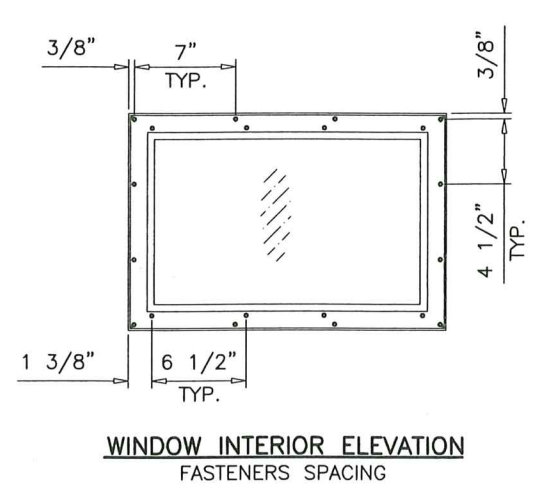
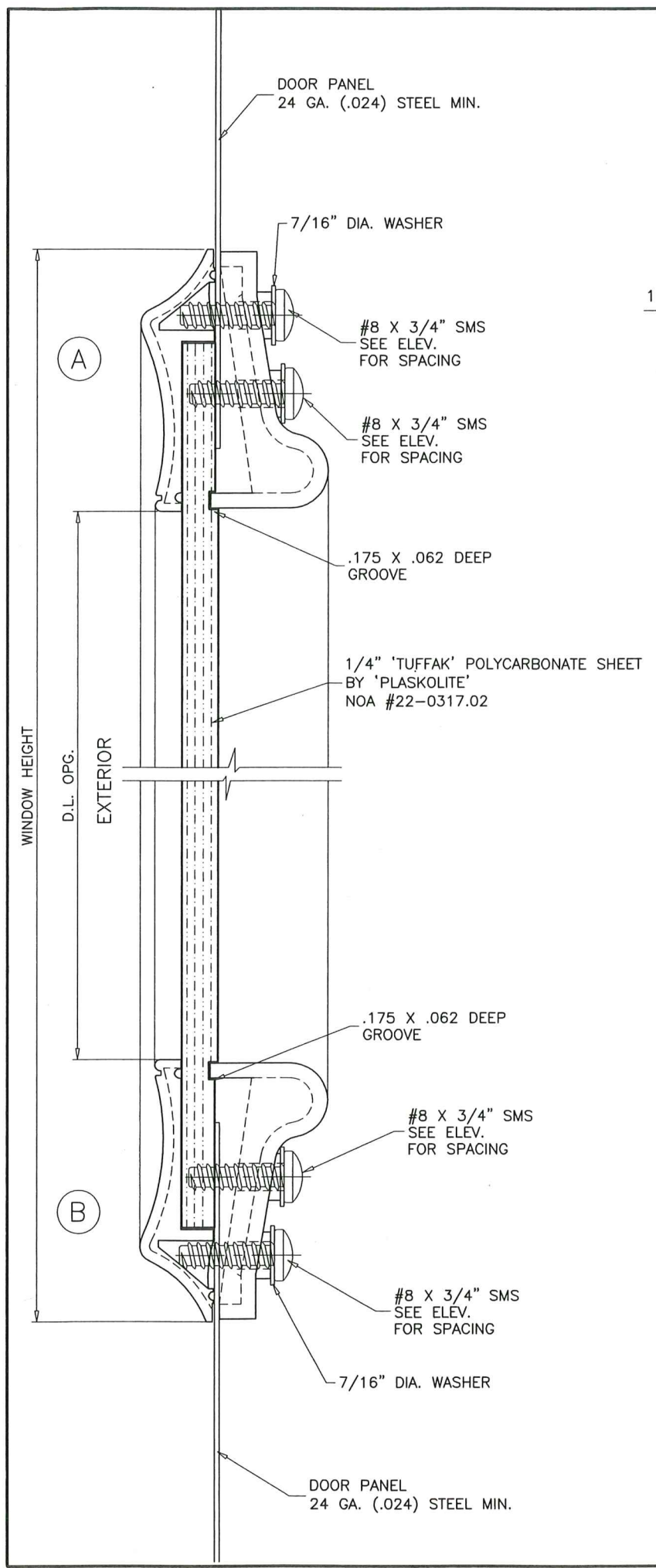


af c
AL-FAROOQ CORPORATION
ENGINEERS & PRODUCT DEVELOPMENT
9360 SUNSET DRIVE, SUITE 220
MIAMI, FLORIDA 33173
TEL. (305) 264-8100 FAX. (305) 262-6978
GARAGE\18-04D-DAB

24 GA. ROLL FORMED STEEL SECTIONAL GARAGE DR.
DAB Door Company, Inc.
12193 N.W. 98th Ave.
Hialeah Gardens, Fl. 33018
Tel: (800) 257-2016 Fax: (305) 362-9272

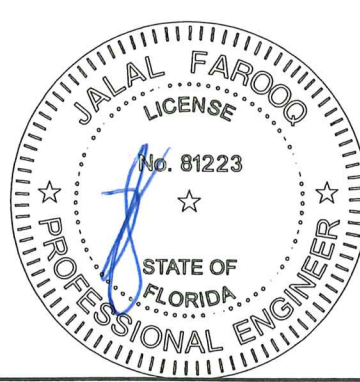
no	date	description
A	02.08.18	REV. PER REVISIONS
B	07.20.20	UPDATED TO 2020 FBC
C	06.16.23	UPDATED TO 2023 FBC

date: 12-20-17
scale: -
dr. by: TARIQ
chk. by:
drawing no. 18-04D
sheet 4 of 5



PRODUCT REVISED
as complying with the Florida
Building Code **23-0710-21**
Acceptance No
Expiration Date **15 MAR 2028**
By *Helga A. Vlatko*
Miami Door Product Control

JUN 22 2023



af c

AL-FAROOQ CORPORATION
ENGINEERS & PRODUCT DEVELOPMENT
9360 SUNSET DRIVE, SUITE 220
MIAMI, FLORIDA 33173 (C.A.N. 3538)
TEL. (305) 264-8100 FAX. (305) 262-6978
GARAGE\18-04D-DAB

24 GA. ROLL FORMED STEEL SECTIONAL GARAGE DR.
DAB Door Company, Inc.
12193 N.W. 98th Ave.
Hialeah Gardens, Fl. 33018
Tel: (800) 257-2016 Fax: (305) 362-9272

no	date	description	by
A	02.08.18	REV. PER RER COMMENTS	
B	07.20.20	UPDATED TO 2020 FBC	
C	06.16.23	UPDATED TO 2023 FBC	

date: 12-20-17
scale: -
dr. by: TARIQ
chk. by:

drawing no.
18-04D
sheet 5 of 5